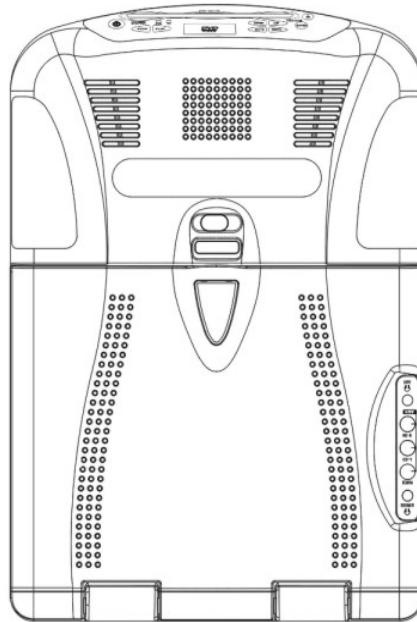


AUDIOVOX®
ELECTRONICS CORP.

VOD1048
Revision A



10.4 LCD Overhead TV/Monitor with DVD Player
Operation Manual

Important Notice

It is unlawful in most jurisdictions for a person to drive a motor vehicle which is equipped with a television viewer or screen that is located in the motor vehicle at any point forward of the back of the driver's seat, or that is visible, directly or indirectly, to the driver while operating the vehicle. In the interest of safety, the VOD1048 should never be installed where it will be visible, directly or indirectly, by the operator of the motor vehicle.

Patent NOS. 5,775,762 and 5,927,784

Warnings

Do not use any solvents or cleaning materials when cleaning the video monitor.

Do not use any abrasive cleaners, they may scratch the screen. Use only a lightly dampened lint free cloth to wipe the screen if it is dirty. Lock the LCD screen in the fully closed position when not in use. Before putting on headphones always adjust the volume setting to the lowest position. Remember to leave the dome light switch in the off or auto positions when the vehicle is unattended, as the dome lights, if left on, can drain the vehicle's battery. Do not put pressure on the screen. Caution children to avoid touching or scratching the screen, as it may become dirty or damaged.

Television Reception

This entertainment system is designed primarily for viewing prerecorded movies or playing video games. Television reception in a moving vehicle will be limited and in some areas will not be possible due to weak and variable signal strength. Television viewing in a stationary vehicle will result in an improvement, but may still be marginal due to signal strength. The quality of the picture will not be consistent with home TV reception. Reception may be affected by weather and distance from TV station. A weak signal may cause the picture to roll, be snowy, or cause some color loss.

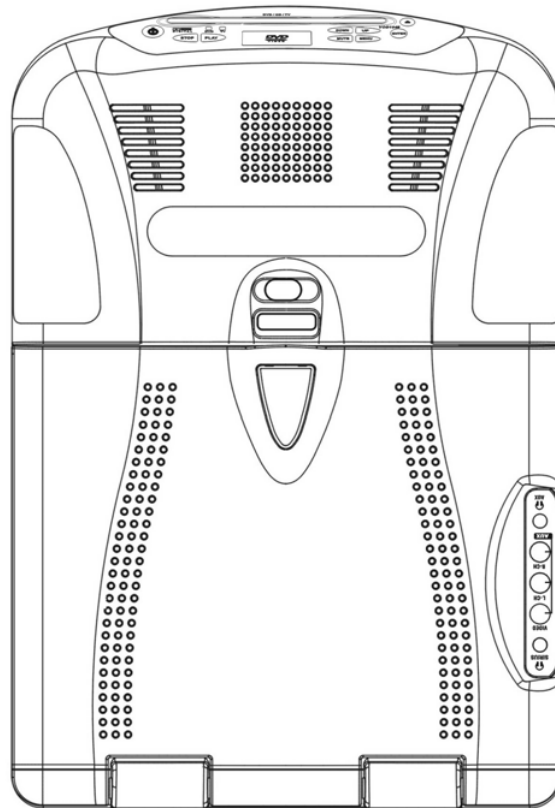
Congratulations on your purchase of the Audiovox VOD1048 Overhead TV/Monitor with DVD Player. The VOD1048 has been designed to give you and your family many years of video entertainment in the mobile environment. Please read the directions that follow to familiarize yourself with the product and to ensure that you obtain the best results from your equipment.

Please NOTE: Installation options vary; see the individual owner's manuals for each component in your system to obtain a full understanding of each components operation.

Safety Precaution

For safety reasons, when changing video media it is recommended that the vehicle is not in motion, and that you do not allow children to unfasten seat-belts to change video media or make any adjustments to the system. System adjustments can be accomplished using the remote control unit, while seat belts remain

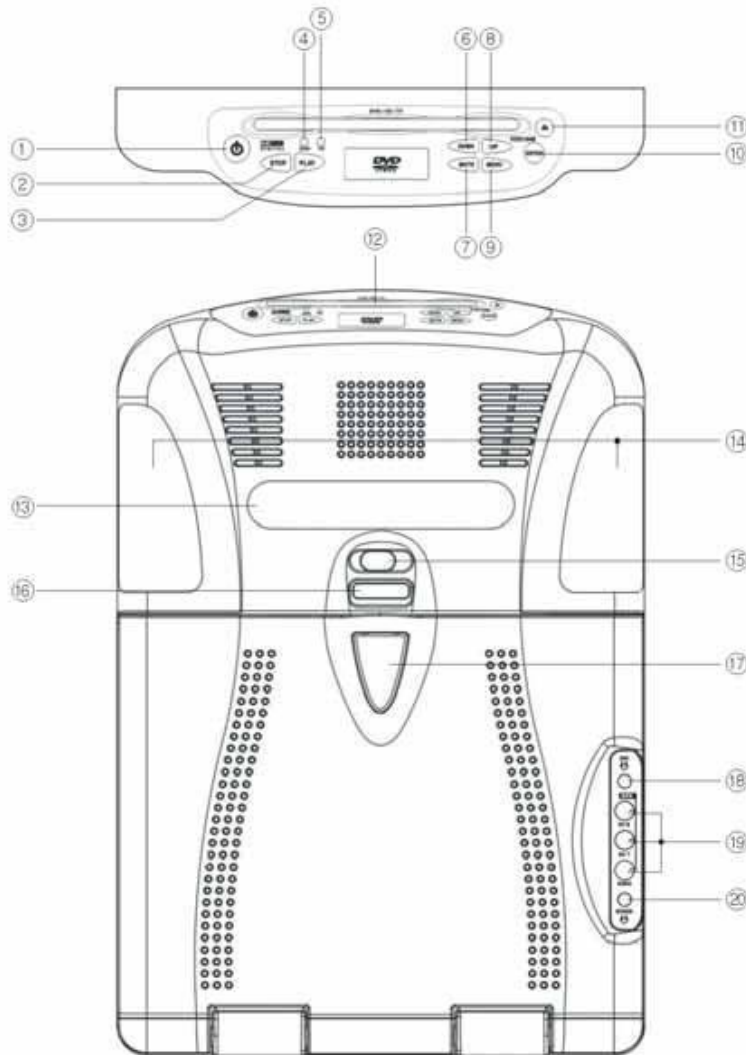
fastened. Enjoy your Audiovox entertainment system but remember-safety of all passengers remains the number one priority.



Features

- 10.4 Inch (4:3) TFT (Thin Film Transistor) Active Matrix LCD Monitor
- Built-in DVD Player
- Built-in TV Tuner
- AUX Input (for Game/Camcorder)
- OSD (On Screen Display)
- Audio Video Output Jacks
- Two Channel Infrared Transmitter for IR Wireless Headphones
- IR Repeater Sensor
- Headphone Jacks (DVD / TV / Monitor)
- Forward and Rear Remote Sensor
- Dome Lights with Switch
- Backlit Controls for Low Light Operation
- Last Position Memory for DVD
- DVD-R & CD-R/RW Compatible
- Anti-Shock Buffer Memory
- Multi-Angle Support
- Multi-Subtitle Support
- Full Function Remote Control

Controls and Indicators Diagram



Main Function Descriptions

1. **POWER;** Press the POWER button to turn the power on and off
2. **STOP:** Press the STOP button to stop disc playback
3. **PLAY:** Press the PLAY button. The DVD or Audio CDs will begin to play. If you press the PLAY button again while the DVD or Audio CDs playing, the DVD will pause.
4. **DVD L.E.D. Indicator**
This L.E.D. indicator will be illuminated when you select the DVD mode.
5. **TV L.E.D. Indicator**
This L.E.D. indicator will be illuminated when you select the TV mode.
6. **Previous:** Pressing this button will select the previous chapter.
7. **Exit:** Pressing this button will exit the DVD menu.
8. **Next:** Pressing this button will select the next chapter.
9. **Menu:** Press this button to access the DVD menu.
10. **Enter:** This button is used to choose the highlighted selection from the OSD menu. (If the highlighted selections are numbered the appropriate number key on the remote may be used.)

11. Eject

DVD disc is stopped and ejected by pressing this button.

12. DVD Disc Insertion Slot

With the label surface up, gently insert the disc into the slot until the loading mechanism engages and the DVD disc is pulled into the unit.

13. Infrared Transmitter and Sensor

Used to transmit audio to wireless headphones. Also allows the remote control to operate the VOD1048 and to control other accessories in the system

14. Dome Lights

Provides additional interior illumination.

15. Three Position Dome Light Switch

- Auto Automatically switches on the dome lights in conjunction with the vehicle's interior illumination.
- Off ... The dome lights will not turn on in this position.
- On ... Turns on the dome lights. Do not leave the switch in this position as it will drain the vehicle battery.

16. Screen Release

Slide in direction of the arrow to release the drop down screen.

17. Side Remote Sensor Eye

Allows the remote control to operate the VOD1048 and control the other accessories.

18. Headphone Jack

Allows the use of wired headphones with a 1/8" plug for listening to video program audio.

19. Aux input jack

Auxiliary Audio input (Right and Left Channel) and Video input

20. Headphone jack

Allows the use of wired headphones with a 1/8" plug for listening to video program audio.

NOTE: Audiovox recommends the use of the Audiovox HP275 Headphones when using wired headphones.

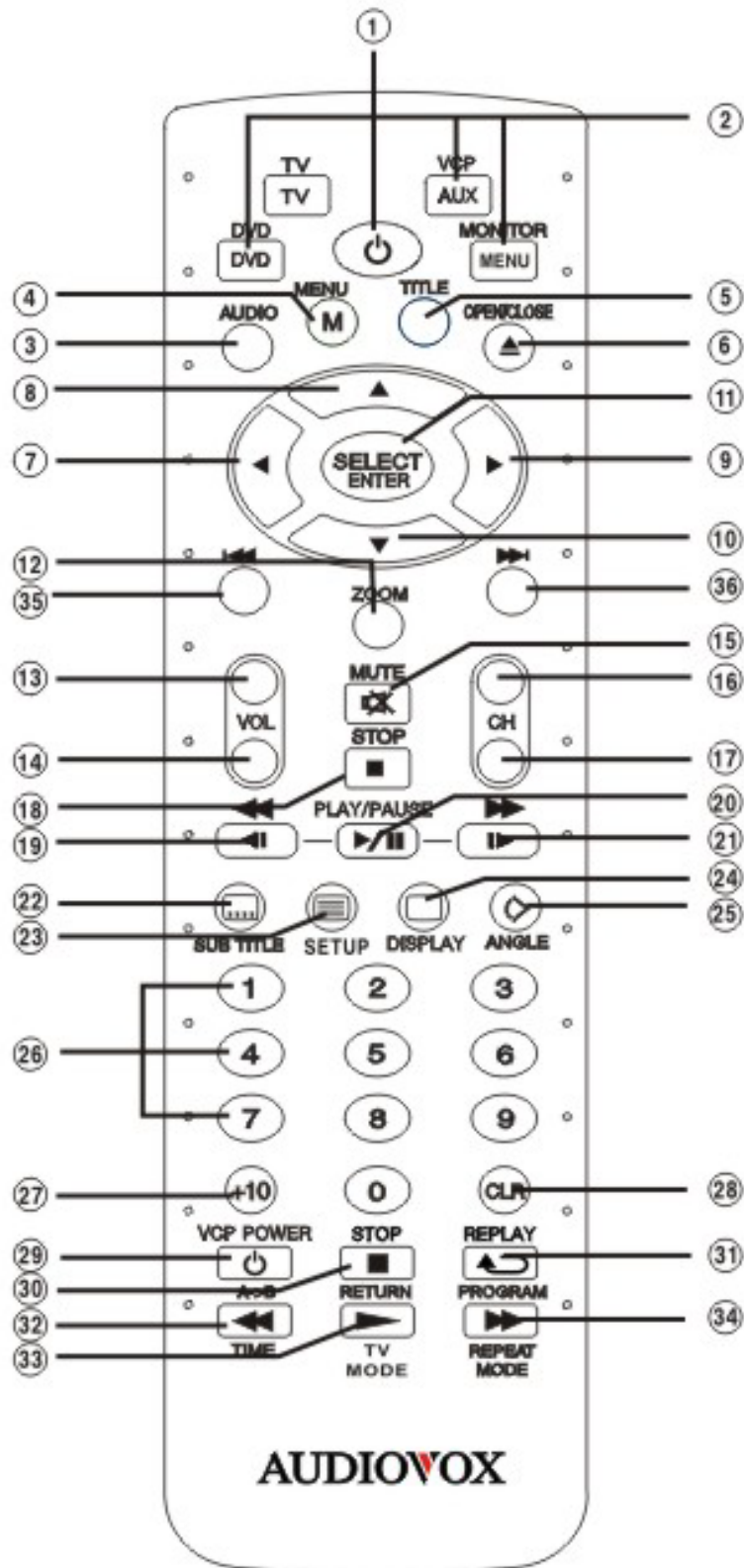
BATTERY INSTALLATION

Before attempting to operate your Remote Control, install the batteries as described below.



- 1) You can use your remote controller within a distance of 7~10m and an angle of 30 degrees from the left and right sides of the remote Sensor Eye of VOD1048.
- 2) Install two "AA" batteries as shown. Make sure that proper polarity (+ or -) is observed.
- 3) The remote control will operate the VOD1048 and most Audiovox VCP's. It is not a universal remote control and will not control equipment from other manufacturers.

REMOTE CONTROL OPERATION



REMOTE CONTROL FUNCTION DESCRIPTIONS

1. POWER ON/OFF

Press this button to turn the VOD1048 on. The selected video source (DVD/TV/AUX) will be displayed on screen and the picture will appear in a few seconds. Press the button again to turn the VOD1048 off.

2. SOURCE (DVD/TV/AUX/MONITOR) Button

Video equipment connected to the AUDIO/ VIDEO inputs can be selected and displayed on the LCD display screen by pressing the button. Each time the button is pressed, the Audio / Video source will change in the following order DVD, TV, AUX and MONITOR.

3. AUDIO

This button allows you to select the language you prefer from the menu. Note that not all DVDs support this function.

4. MENU

Pressing this button will enable user to select the DVD main menu.

5. TITLE

Pressing this button will go to the DVD root menu.

6. EJECT/LOAD

Pressing this button will eject or load a disc.

7. LEFT

Use this button to navigate through the menu selections.

8. UP

Use this button to navigate through the menu selections.

9. RIGHT

Use this button to navigate through the menu selections.

10. DOWN

Use this button to navigate through the menu selections.

11. SELECT

Use this button to select the highlighted menu selection.

12. ZOOM

Pressing this button will allow you to enlarge the picture by x2, x3, x4, or reduce by x1/2, x1/3, x1/4. You may then pan the display by pressing the four arrow buttons (7, 8, 9 and 10).

13. VOLUME UP

Use this button to increase the volume level of the headphone jacks.

14. VOLUME DOWN

Use this button to decrease the volume level of the headphone jacks.

15. MUTE

Pressing this button will mute the audio output.

16. TV Channel UP

When in the TV Mode, press this button to increase the TV channel.

17. TV Channel DOWN

When in the TV Mode, Press this button to decrease the TV channel.

18. STOP

Pressing this button will stop playback of the disc.

19. Reverse Scan

Pressing this button will allow you to scan the disc backwards at x2, x4, x8, x16, x32 the normal speed. When in pause mode, it will reverse scan at x1/2, x1/4, 1/8, x1/16 the normal speed.

20. Play/Pause

Pressing this button will start the play of the DVD disc. Pressing again will pause the DVD disc.

21. Forward Scan

Pressing this button will allow you to scan the disc forwards at x2, x4, x8, x16 x32 the normal speed. When in pause mode, it will forward scan at x1/2, x1/4, 1/8, x1/16 the normal speed..

22. SUBTITLE

This button controls the language selection and allows you to choose whether the subtitles are on or off.

23. SET UP

Pressing this button will allow for player settings such as General, Audio, Video, Preferences and Password set up.

24. DISPLAY

This button turns the screen display on and off. This will display various playback information of the disc.

25. ANGLE

If the DVD disc contains sequences recorded from different camera angles, pressing the button causes the angle icon to appear and will show you the number of camera angles available and allows you to change the angle if you wish. The angle function will not work with DVD discs that do not have multiple angles.

26. NUMBER (0-9)

These numeric keys allow you to directly enter the highlighted menu chapter, or track selection, and enter a password.

27. +10

This button will allow you to directly enter the tracks above 10. For instance, track 17 is (+10), then (7). Track 21 is (+10), (+10), then (1).

28. CLR (CLEAR)

Pressing this button will clear track numbers while in track selection or search mode.

29. VCP POWER (A/B)

When in VCP Mode, Press this button to turn the VCP on.

When in DVD Mode, Multiple presses of this button will allow you to repeat a sequence A to B audio or A to B video. To set the starting point, press once, and to set the ending point, press a second time. To cancel the repeat sequence, press a third time.

30. STOP (RETURN)

When in VCP Mode, Pressing this button will stop playback of the Video Cassette.

When in DVD Mode, This button will allow you to go back to last playing position from Menu screen.

31. REPLAY (PROGRAM)

When in VCP Mode, Pressing this button will replay the Video Cassette.

When in DVD Mode, Pressing this button will allow you to make a favorite program list with program button on CD or on MP3 disc.

32. (REVERSE SCAN)

When in VCP Mode, Pressing this button will play fast reverse.

When in DVD Mode, this button will allow you to select the time display mode.

33. (PLAY)

When in VCP Mode, Pressing this button will play the Video Cassette.

When in DVD Mode, This button selects TV type such as NTSC, PAL and Auto.

34. (FORWARD SCAN)

When in VCP Mode, Pressing this button will play fast forward.

When in DVD Mode, This button will select repeat mode such as Repeat disc, Repeat track, and Repeat off.

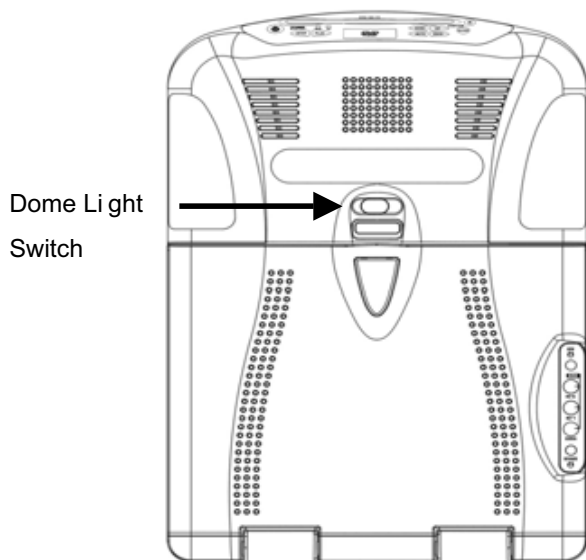
35. PREVIOUS

Pressing this button will select the previous track or chapter.

36. NEXT

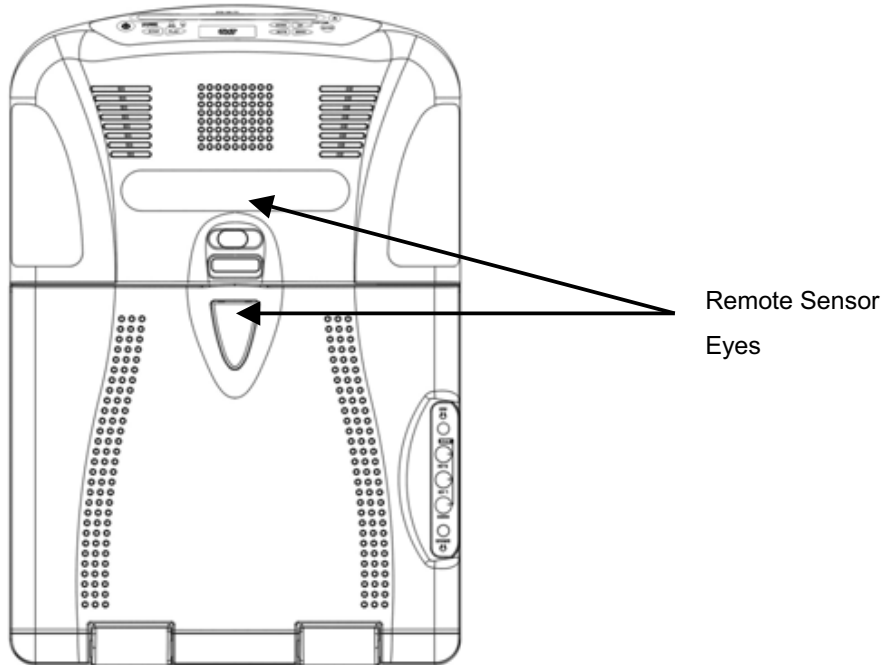
Pressing this button will select the next track or chapter.

Overhead Dome Lights



The lights integrated into the VOD1048 are controlled by a three-position slide switch. Sliding the switch to the on position will turn the lights on. The off position will prevent the lights from turning on at all times, and the auto position will allow the lights to turn on and off with the vehicle's interior lighting. Refer to the Installation Manual for the wire connections. Do not leave the vehicle unattended with the dome light switch in the on position, as this could result in a discharged battery.

Remote Sensor



The VOD1048 incorporates two Infrared sensors, which relay signals from the remote control to allow the unit to be controlled simply by pointing its remote control at the remote sensor eye. The repeater function allows control of auxiliary equipment such as an Audiovox Video Cassette Player. The infrared sensor can relay signals from most manufacturers' remote controls to its respective component connected to the Video 1 input. In this case you must use the remote control supplied with the component.

Wireless Headphones (Optional)

The VOD1048 includes a built-in dual channel infrared transmitter for use with Audiovox wireless headphones (Audiovox Part Number IR2CHS-Dual channel). The volume can then be adjusted using the controls on each headset. The wireless headphones must be used within a line of sight from the transmitter, as infrared transmissions, like visible light travel only in a straight line. See the documentation accompanying your Audiovox wireless headphones.

Wireless Headset Special Features (Optional)

- Automatic Level Control prevents input signal overloading.
- Uses high frequency infrared light to assure a clean signal for clear reception.

IR2 Input

Any line level audio source may be connected to this input (Satellite Radio, CD Changer etc). The audio program connected to the IR2 input can be received on the B channel of the dual channel wireless headphones (Audiovox Part Number IR2CHS).

Wired Headphones

Any standard wired headphones with a 1/8 jack can be connected to the headphone jacks.

Wired FM Modulator

The VOD1048 is equipped with audio output jacks that can be connected to an optional FM Modulator (Part Number FMM100A) to allow the audio to play through the vehicle radio.

DVD OPERATION

Playing a Disc

- 1 Press the DVD button on your remote control and insert the disc it will automatically begin playback
- 2 If you have stopped a disc that was playing, you can restart a disc by pressing the Play/Pause button on the faceplate or your remote control.

Pausing a Disc

To pause a disc that is playing, press the Play/Pause button.

Stopping a Disc

- 1 To stop a disc that is playing, press the Stop button on your remote control.
- 2 The disc can be restarted in the same place by pressing the Play/Pause button.

Selecting a Chapter Using the DVD Menu

Most DVDs contain a root menu that, among other options allows you to select a specific chapter to play. To use the DVD menu to select a chapter to play, follow the steps below:

1. Press the Menu button on either the remote control or the front panel. The DVD menu is displayed.
2. Use the direction arrows to highlight the chapters option in the menu and press SELECT.
3. Use the direction arrows to highlight the chapter that you want to play and press SELECT. The menu is closed and the chapter is immediately played.

Playing from a Specific Time in a Title or Track

- This feature is available for audio discs and other discs that support the ability to move to a specific time in a track or title. For example, if a track is 5 minutes and 38 seconds long you can select to start playing from 5 minutes and 8 seconds so that you only listen to the last 30 seconds of the track.

1. Press the DISPLAY button on your remote control until the Time option is displayed in the top left corner of the screen (CD) or the Main Menu screen is displayed (DVD).
2. Use the number buttons on your remote control to enter the time that you want to move to in the format: mm:ss.
3. When you have finished entering the time, the Time option is closed and the track or title is played from the time entered.

Playing a Specific Track or Chapter and Title

1. Press the DISPLAY button on your remote control until either the Track or Title and Chapter option is displayed or the Main Menu screen is displayed.
2. Use the cursor button to highlight "Chapter" and then press the Enter button.
3. Use the number buttons on your remote control to enter the track or title and chapter that you want to play and then press Enter.

Skipping Through the Chapters or Tracks

As you are playing a disc you can skip to the next or to a previous chapter (on a DVD) or track (on a audio disc). This is carried out using the Next and Previous buttons as follows:

To skip to the beginning of the next chapter or track, press the Next button .

To skip to the beginning of the current chapter or track, press the Previous button.

To skip to the beginning of the previous chapter or track, press the Previous button twice.

Using the Repeat Features

The repeat feature allows you to repeat a section of a disc once it has finished playing. The following items can be repeated:

- The entire disc
- A single track
- A single chapter
- A single title
- A section of the disc between two selected points

Repeating a Track, Chapter, or Title

- 1 Play the track, chapter, or title that you want to repeat.
- 2 Press the REPEAT MODE button on your remote control until the required repeat mode is displayed in the top left corner of the screen. This can be Repeat Track, Repeat Chapter, or Repeat Title. When the disc reaches the end of the selected track, chapter, or title, it will start playing it again.
- 3 To stop track repeat, press the REPEAT MODE button again until Repeat Off is displayed in the top left corner of the screen.

Repeating a Section of any Disc

- 1 Press A > B once to start selection to select the starting point A.
- 2 Press A > B again to finish selection to select the ending point B.
- 3 To cancel selection press A > B again.

Playing a Disc at Different Speeds

- 1 You may play a disc at different speeds in both forward and reverse directions.
- 2 To play the disc at different speeds in a forward direction use the Forward scan button on your remote control. The speeds that can be achieved are:
 - X2, X4, X8, X16 and X32 for DVDs and video CDs.
 - X2, X4, X8, X16 and X32 for audio discs and mp3s. The audio can be heard at all speeds.

- 3 To play the disc at different speeds in reverse use the Reverse scan button on your remote control. The speeds that can be achieved in reverse are:
X2, X4, X8, X16, X32

Changing Main Menu with Display Key

1. To display the Main Menu for the disc that is playing, press DISPLAY on your remote control.
2. The Main Menu is available to change the way the disc is playing.
 - Changing a Title, Chapter to play
 - Changing Audio Language
 - Selecting to view Subtitle
 - Changing the Angle of View
 - Entering a Time to Play
 - Setting a Item to Repeat
 - Changing the Time Display
3. Select the options by highlighting the desired option using the cursor buttons then press the Select/ Enter button

Using the Setup Menu

Once the initial settings have been completed, the player can always operate under the same conditions whenever the power is switched on. These settings are called SETUP data that are easily modified and stored using the SETUP menu. The SETUP menu includes the information for GENERAL, AUDIO, VIDEO, PREFERENCES and PASSWORD controls.

1. Press the STOP button twice, if the disc is being played.
2. To display the SETUP menu, press the SETUP button.
3. Use the Cursor buttons to highlight the desired item.
4. Press the SETUP button to highlight the SETUP button again

GENERAL SETUP

- TV DISPLAY You can select the aspect ratio according to your TV. If the TV on which the picture is played is 16:9 "WIDE". If it is 4:3 type, choose NORMAL/PS (Pan & Scan) or NORMAL/LB (Letter Box)
- ANGLE MARK You can set up so that the angle mark appears on scenes that contain angle options.
- OSD LANGUAGE ... You can select an OSD language such as English, French, Spanish, etc .
- CAPTIONS ... Adjust caption options.
- SCREEN SAVER ... Adjust Screen Saver options.
- LAST MEMORY ... Adjust Last Memory selections

AUDIO SETUP

- SPEAKER.. You can select various speaker settings.
- DOLBY DIGITAL... Choose Stereo or Mono mode and adjust Dynamic range.
- EQUALIZER ... Choose the desired preset equalizer mode.
- 3D PROCESSING ... Use this option to make a reverb effect if you prefer.
- HDCD... Adjust the desired Filter frequency.

VIDEO SETUP

- Quality... Adjust Video quality controls such as Sharpness, Brightness, Contrast, Gamma, Hue and Saturation etc.

PREFERENCE SETUP

You can select a preference Setup such as:

TV Type: You can select TV Type (PAL, MULTI, NTSC)

PBC: You can select PBC ON and OFF.

AUDIO: Choose the desired language.

SUBTITLE: Choose the desired language.

DISC MENU: Choose the desired language.

PARENTAL Setting: You can select the rating level.

DEFAULT Reset: Setup Menu can be reset to DEFAULT Value.

PASSWORD SETUP

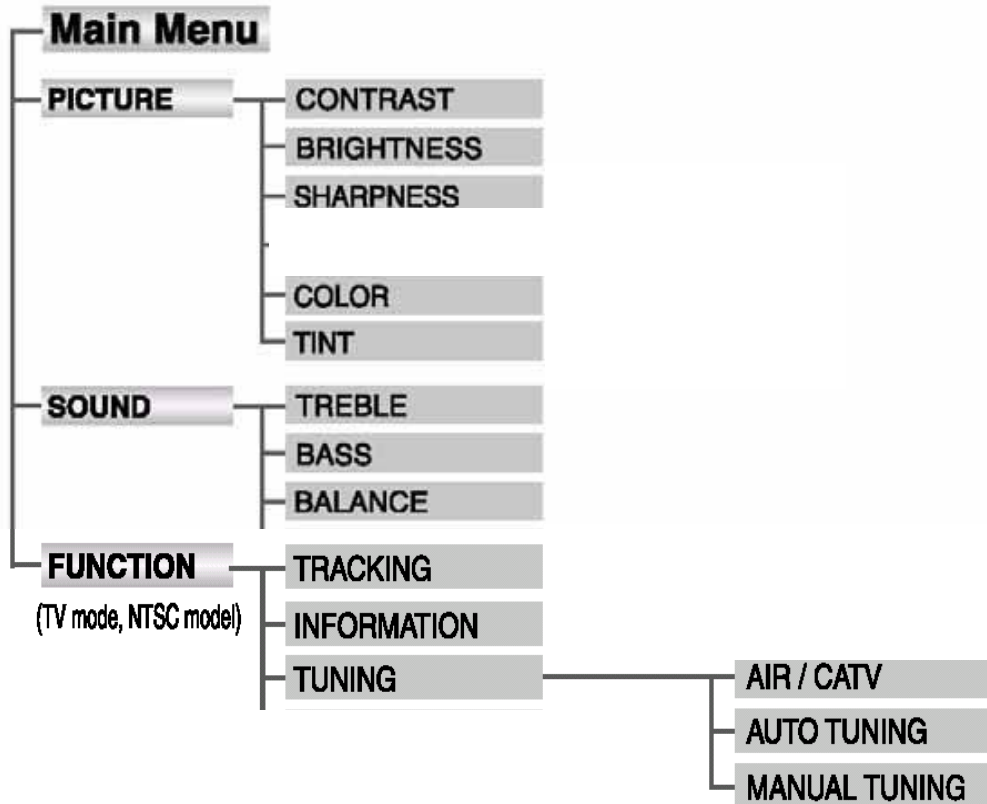
Select the Password option.

Enter your old password and press enter. Enter a new password and press Enter.

Re-enter your new password to confirm then press the ENTER button.

Note: The Default Password is 3308. This password is always effective even after you have selected your own password and changed it. To avoid the possibility of others using the default password to set the parental level and change the password, you can record this default password in another area and delete it from this manual. Some discs can be limited depending on the age of users while some discs cannot.

SOUND AND PICTURE SETUP



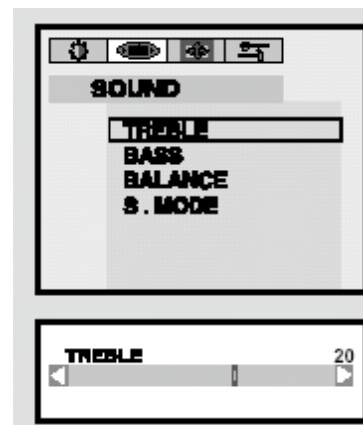
Adjusting the sound settings

The sound settings can be adjusted to suit your personal preference: **TREBLE, BASS, BALANCE**.

Press the **MENU** button.

The **PICTURE** menu is displayed.

1. Use the (7) or (9) button to move to the **SOUND** menu.
2. Use the (8) or (10) button to select one of the following options:
TREBLE
BASS
BALANCE
3. Press the **SEL** (11) button.
4. Press the (7) or (9) button to adjust the setting to suit your personal preference.
5. Press the **MENU** button repeatedly until the menu disappears.



CONTRAST, BRIGHTNESS, SHARPNESS, COLOR, TINT

1. Press the **MENU** button. The **PICTURE** menu is displayed.

2. Press the **SEL** button.

3. Adjusting the picture settings

Use the (8) or (10) button to select one of the following options:

CONTRAST

BRIGHTNESS

SHARPNESS

COLOR

TINT

4. Press the (7) or (9) button to adjust the setting to your personal preference.

5. Press the **MENU** button repeatedly until the menu disappears.

[MEMO]

TROUBLESHOOTING

Symptom	Possible Cause	Solution
Unit does not turn on	<ul style="list-style-type: none"> • Main Power Switch turned off • No Power 	<ul style="list-style-type: none"> • Press in Main Power Switch • Check fuses and that the ACC power is on
Disc does not play	<ul style="list-style-type: none"> • Disc is loaded Improperly • Incorrect disc type • Invalid Region Code • Rating is above parental preset • Dirty disc 	<ul style="list-style-type: none"> • Load disc label-side up • Check to see that disc is CD, CD-R, CD-RW, VCD, MP3-CD, DVD-R, DVD-RW or DVD Movie : Other types will not play. • Use Region 1 disc only. • Enter password to override or change rating settings • Make sure the disc is free from scratches and dirt
No picture	<ul style="list-style-type: none"> • Intermittent connections • Wrong input on monitor 	<ul style="list-style-type: none"> • Check all video connections • Check input selection of TV or receiver
No sound	<ul style="list-style-type: none"> • Intermittent connections • DVD disc is in fast or slow mode 	<ul style="list-style-type: none"> • Check all audio connections • There is no audio playback on DVD discs during fast or slow modes
Picture is distorted or jumps during fast forward or reverse	<ul style="list-style-type: none"> • MPEG-2 decoding 	<ul style="list-style-type: none"> • Some functions are prohibited by the DVD software.
Some remote buttons do not operate during DVD play : prohibited symbol appears (see next page)	<ul style="list-style-type: none"> • MPEG-2 decoding 	<ul style="list-style-type: none"> • It is a normal artifact of DVD playback for pictures to jump or show some distortion during rapid play
The OSD menu is in a foreign language	<ul style="list-style-type: none"> • Incorrect OSD language 	<ul style="list-style-type: none"> • Change OSD language selection
The symbol appears	<ul style="list-style-type: none"> • Requested function not available at this time 	<ul style="list-style-type: none"> • Some functions are prohibited by the DVD software.
Picture is displayed in the wrong aspect ratio	<ul style="list-style-type: none"> • Incorrect match of aspect-ratio settings to disc 	<ul style="list-style-type: none"> • Change aspect ratio settings
Remote control Inoperative	<ul style="list-style-type: none"> • Weak batteries • Sensor is blocked 	<ul style="list-style-type: none"> • Change both batteries • Clear path to sensor
The picture has occasional distortion	<ul style="list-style-type: none"> • Damaged disc 	<ul style="list-style-type: none"> • Make sure the disc is free from scratches and dirt.
MP3 discs won't read or they skip	<ul style="list-style-type: none"> • Incorrect record format 	<ul style="list-style-type: none"> • Make sure CD is not recorded with variable bit rate • Re-record the CD at a slower rate



12 MONTH LIMITED WARRANTY

Applies to Audiovox Video Products

AUDIOVOX ELECTRONICS CORP. (the Company) warrants to the original retail purchaser of this product that should this product or any part thereof, under normal use and conditions, be proven defective in material or workmanship within 90 days from the date of original purchase, such defect(s) will be repaired or replaced with reconditioned product (at the Company's option) without charge for parts and repair labor.

To obtain repair or replacement within the terms of this Warranty, the product is to be delivered with proof of warranty coverage (e.g. dated bill of sale), specification of defect(s), transportation prepaid, to the Company at the address shown below.

This Warranty does not extend to the elimination of externally generated static or noise, to correction of antenna problems, to costs incurred for installation, removal or reinstallation of the product, or to damage to tapes, discs, speakers, accessories, or electrical systems.

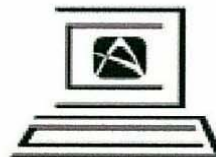
This Warranty does not apply to any product or part thereof which, in the opinion of the Company, has suffered or been damaged through alteration, improper installation, mishandling, misuse, neglect, accident, or by removal or defacement of the factory serial number/bar code label(s). THE EXTENT OF THE COMPANY'S LIABILITY UNDER THIS WARRANTY IS LIMITED TO THE REPAIR OR REPLACEMENT PROVIDED ABOVE AND, IN NO EVENT, SHALL THE COMPANY'S LIABILITY EXCEED THE PURCHASE PRICE PAID BY PURCHASER FOR THE PRODUCT.

This Warranty is in lieu of all other express warranties or liabilities. ANY IMPLIED WARRANTIES, INCLUDING ANY IMPLIED WARRANTY OF MERCHANTABILITY, SHALL BE LIMITED TO THE DURATION OF THIS WRITTEN WARRANTY. ANY ACTION FOR BREACH OF ANY WARRANTY HEREUNDER INCLUDING ANY IMPLIED WARRANTY OF MERCHANTABILITY MUST BE BROUGHT WITHIN A PERIOD OF 30 MONTHS FROM DATE OF ORIGINAL PURCHASE. IN NO CASE SHALL THE COMPANY BE LIABLE FOR ANY CONSEQUENTIAL OR INCIDENTAL DAMAGES FOR BREACH OF THIS OR ANY OTHER WARRANTY, EXPRESS OR IMPLIED, WHATSOEVER. No person or representative is authorized to assume for the Company any liability other than expressed herein in connection with the sale of this product.

Some states do not allow limitations on how long an implied warranty lasts or the exclusion or limitation of incidental or consequential damage so the above limitations or exclusions may not apply to you. This Warranty gives you specific legal rights and you may also have other rights which vary from state to state.

U.S.A. : AUDIOVOX ELECTRONICS CORPORATION, 150 MARCUS BLVD., HAUPPAUGE, NEW YORK 11788 • 1-800-645-4994
CANADA : CALL 1-800-645-4994 FOR LOCATION OF WARRANTY STATION SERVING YOUR AREA

128-5556C



For Customer Service
Visit Our Website At
www.audiovox.com
Product Information, Photos,
FAQ's, Owner's Manuals